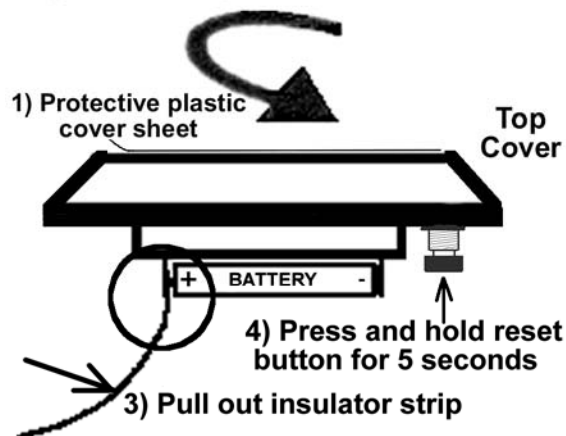


Please Read all Installation Instructions BEFORE BEGINNING

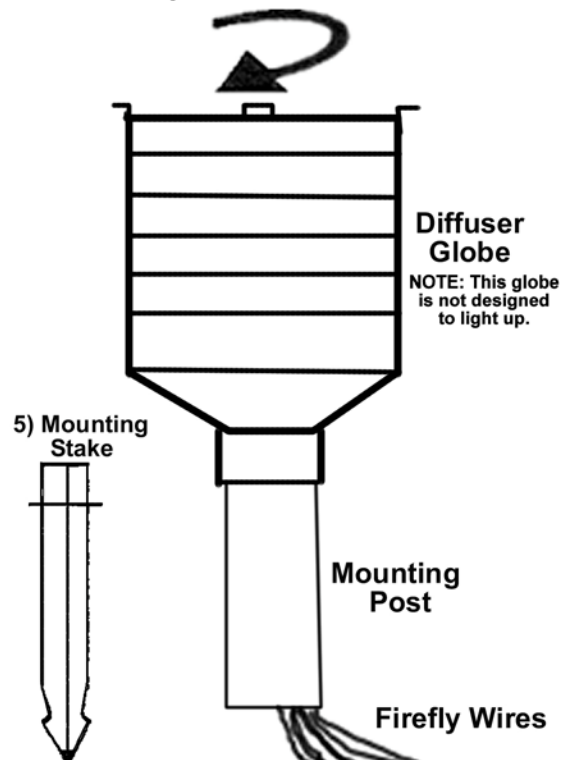
Solar Powered FIREFLY MAGIC™ Lights Model FMS-07 & Model FMS-12

1. Remove the clear, thin film, protective plastic cover sheet from the top of the high efficiency solar panel.
2. Twist the top cover counter-clockwise and carefully separate it from the translucent plastic diffuser globe
3. While holding the AA battery in place, pull out the plastic insulator strip located at the + end of one of the batteries.
4. Next press and hold the reset button in for 5 seconds and then release it. This activates the Firefly Magic™ fireflies and they should all come on for approximately 1-3 seconds then flicker off. If any fireflies remain on longer than 4 seconds, press and hold the reset button again, then release after 5 seconds. Repeat this procedure until all the lights turn on and then fade off within 1-3 seconds. The firefly lights are now operating correctly and will come on and go off very randomly. **NOTE:** The lantern diffuser globe is NOT designed to light up.

2) Untwist top cover from diffuser



Twist top cover back onto diffuser

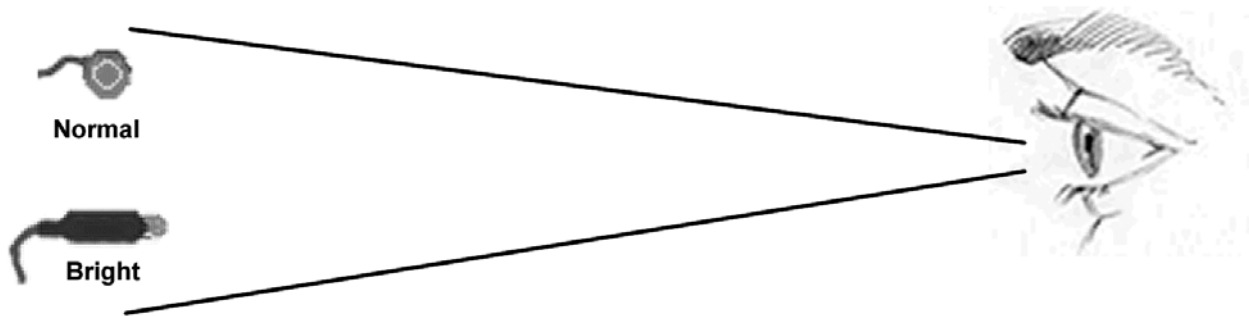


5. Let the firefly wires slide down through the mounting post as you reinstall the top cover onto the diffuser globe. Twist the top cover clockwise to lock onto the diffuser globe.
6. Carefully slide the mounting stake into the mounting post. **NOTE:** there are notches near the top of the mounting stake through which the firefly wires must pass.

Selecting the Location for Your Firefly Magic™ Fireflies

Most real fireflies tend to remain near the ground, and by installing your fireflies the same way, it will be an easy task.

7. Select a location in your garden where you can run the firefly wires to nearby foliage. **Ideally, the solar cell on the lantern fixture should receive direct sunlight for several hours each day** to fully charge the two (2) AA Ni-Cd batteries.
8. After selecting the location, hold the mounting post firmly in your hand and press the mounting stake into the ground. **DO NOT PRESS ON THE TOP COVER containing the solar panel during this installation step, as permanent damage may result.** **NOTE:** If the ground is hard, first dig a small hole with a trowel and refill the hole with soft dirt to allow easy insertion of the mounting stake.
9. Run each firefly wire along the ground, up branches and out the stems of plants to reduce their visibility. Be sure each firefly light sticks out slightly so leaves do not cover it. **NOTE:** If the firefly light is placed near the end of a flexible stem or branch, any slight breeze will cause the firefly light to move, creating the added effect of fireflies dancing in the night.
10. Aim each firefly light approximately 90° from where people will be viewing. This ensures the firefly does not appear to be too bright by looking directly into the end of the light. However, if your firefly lights are farther away, or you just prefer them to be brighter, then aim the tip of the firefly light toward the viewers. See diagram below:



11. Your Solar powered Firefly Magic™ lights use very little battery power so they are designed to **run continuously**.
12. For best performance, replace the batteries with rechargeable AA Ni-Cd batteries every year. **CAUTION: Ni-Cd BATTERIES CONTAIN NICKEL-CADMIUM AND MUST BE RECYCLED OR DISPOSED OF PROPERLY.**

Other Firefly Magic™ Light Sets

Firefly Magic™ Lights are available in three (3) Models: FMS - Solar powered, FMB - Battery powered for temporary and semi-permanent installations, and FMT - 12 Volt Landscape Lighting transformer powered. Each of these models can be ordered with either seven (7) electronic fireflies or twelve (12) electronic fireflies. For more information, visit our Website at www.FireflyMagic.com.

Patent Pending

© 2004 Firefly Magic™ • P.O. Box 162 Apple Valley, CA 92307 • install@fireflymagic.com • 1-877-8-FIREFLY

www.FireflyMagic.com